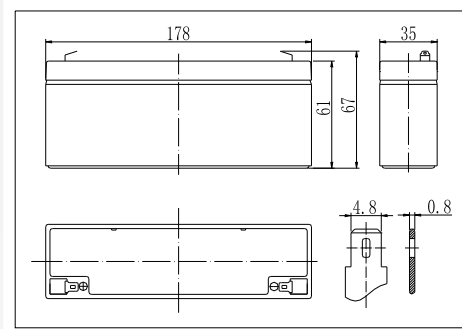
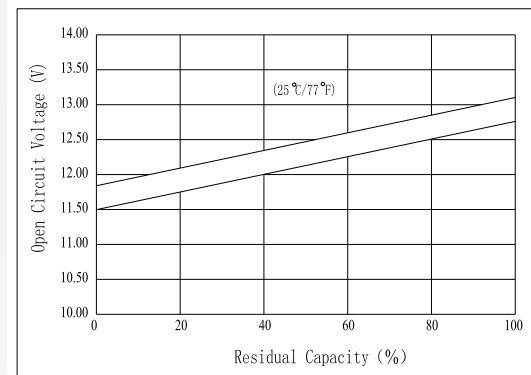
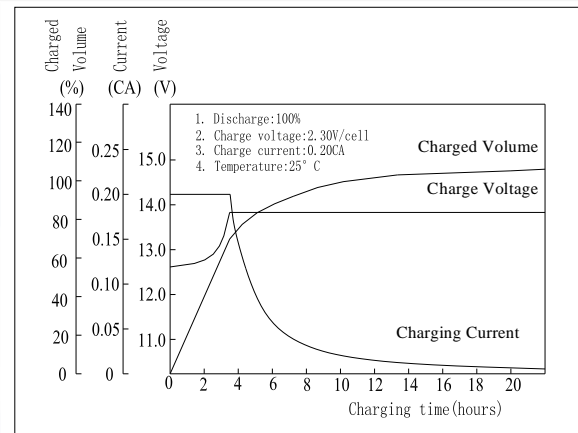
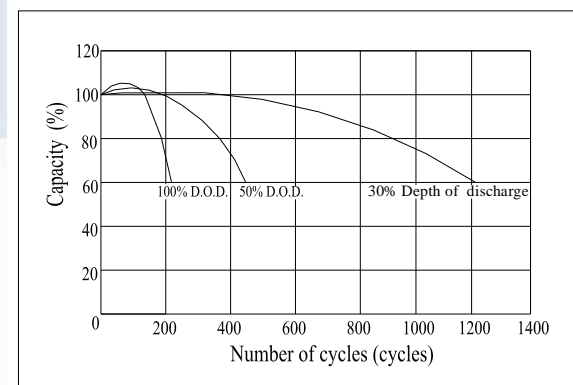


**Dimensions**

**Specifications**

|   |              |                         |
|---|--------------|-------------------------|
| Nominal Voltage                           |              | 12 V                    |
| Capacity(20HR, 25°C)                      |              | 2.3 Ah                  |
| Dimension                                 | Length       | 178mm (7.01inch)        |
|   | Width        | 35mm (1.38inch)         |
|   | Height       | 61mm (2.40inch)         |
|   | Total Height | 67mm (2.64inch)         |
| Approx. Weight                            |              | 0.99kg (2.18lbs)        |
| Internal resistance (Fully charged, 25°C) |              | Approx. 60m Ω           |
| Capacity affected by temperature (20HR)   | 40°C         | 102%                    |
|   | 25°C         | 100%                    |
|   | 0°C          | 85%                     |
|   | -15°C        | 65%                     |
| Self-discharge (25°C)                     | 3 month      | Remaining Capacity: 91% |
|   | 6 month      | Remaining Capacity: 82% |
|   | 12 month     | Remaining Capacity: 65% |
| Nominal operating temperature             |              | 25°C± 3°C(77°F± 5°F)    |
| Operating temperature range               |              | -15°C~50°C (5°F~122°F)  |
| Float charging voltage(25°C)              |              | 13.60 to 13.80V         |
| Cyclic charging voltage(25°C)             |              | 14.50 to 14.90V         |
| Maximum charging current                  |              | 0.69A                   |
| Terminal material                         |              | Copper                  |
| Maximum discharge current                 |              | 34.5A(5 sec.)           |

- ◆ AGM and VRLA technology;
- ◆ Recognized by UL & CE;
- ◆ ABS container. Orange, Blue or Black Color

**The Relationship for Open Circuit Voltage and Residual Capacity (25°C)**

**Charging Characteristics(25°C)**

**Cycle Life(25°C)**


Note: Floating life at 20°C designed for 5 years.

**Constant Current Discharge Characteristics (A, 25°C)**

| F.V/TIME | 5min | 10min | 15min | 30min | 60min | 3h   | 5h   | 10h  | 20h  |
|----------|------|-------|-------|-------|-------|------|------|------|------|
| 9.60V    | 9.20 | 5.80  | 4.50  | 2.60  | 1.54  | 0.59 | 0.40 | 0.22 | 0.11 |
| 10.2V    | 8.74 | 5.51  | 4.32  | 2.50  | 1.48  | 0.58 | 0.39 | 0.22 | 0.11 |
| 10.8V    | 8.22 | 5.18  | 4.10  | 2.37  | 1.40  | 0.57 | 0.38 | 0.22 | 0.11 |

**Constant Power Discharge Characteristics (Watt, 25°C)**

| F.V/TIME | 5min | 10min | 15min | 30min | 60min | 3h   | 5h   | 10h  | 20h  |
|----------|------|-------|-------|-------|-------|------|------|------|------|
| 9.60V    | 103  | 65.4  | 51.3  | 29.8  | 17.8  | 6.99 | 4.73 | 2.67 | 1.34 |
| 10.2V    | 97.5 | 62.2  | 49.2  | 28.6  | 17.1  | 6.89 | 4.66 | 2.64 | 1.33 |
| 10.8V    | 91.7 | 58.4  | 46.8  | 27.2  | 16.3  | 6.75 | 4.56 | 2.66 | 1.32 |