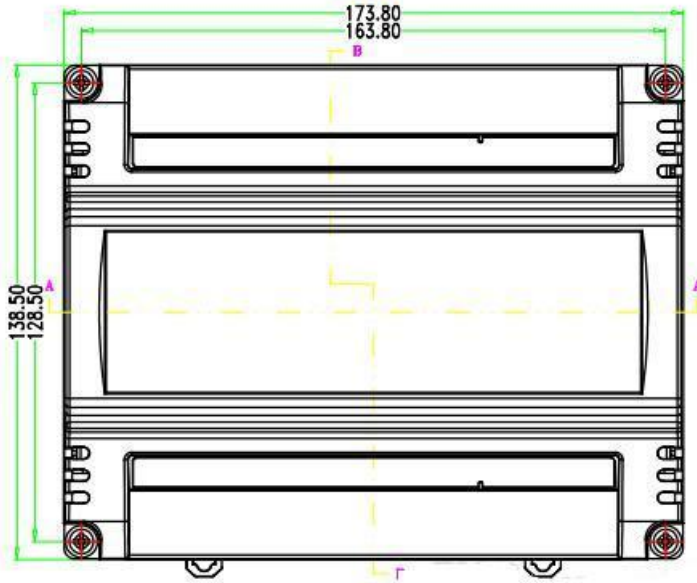
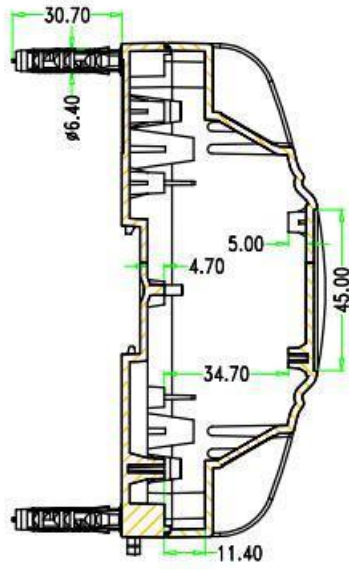




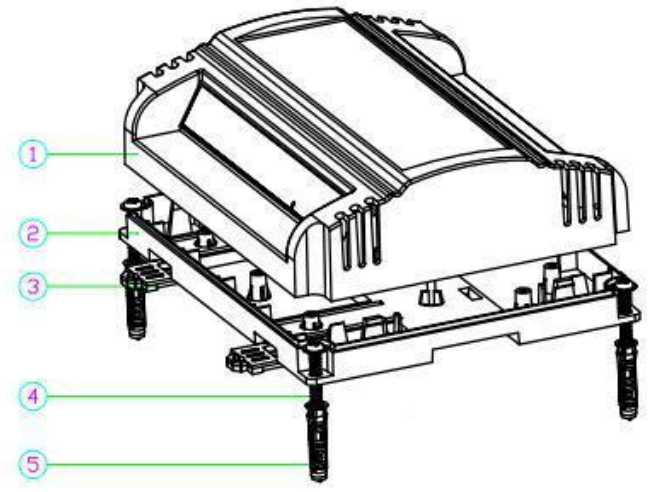
150.00
SEC A-A



173.80
163.80
B



SEC B-B



- 1
- 2
- 3
- 4
- 5