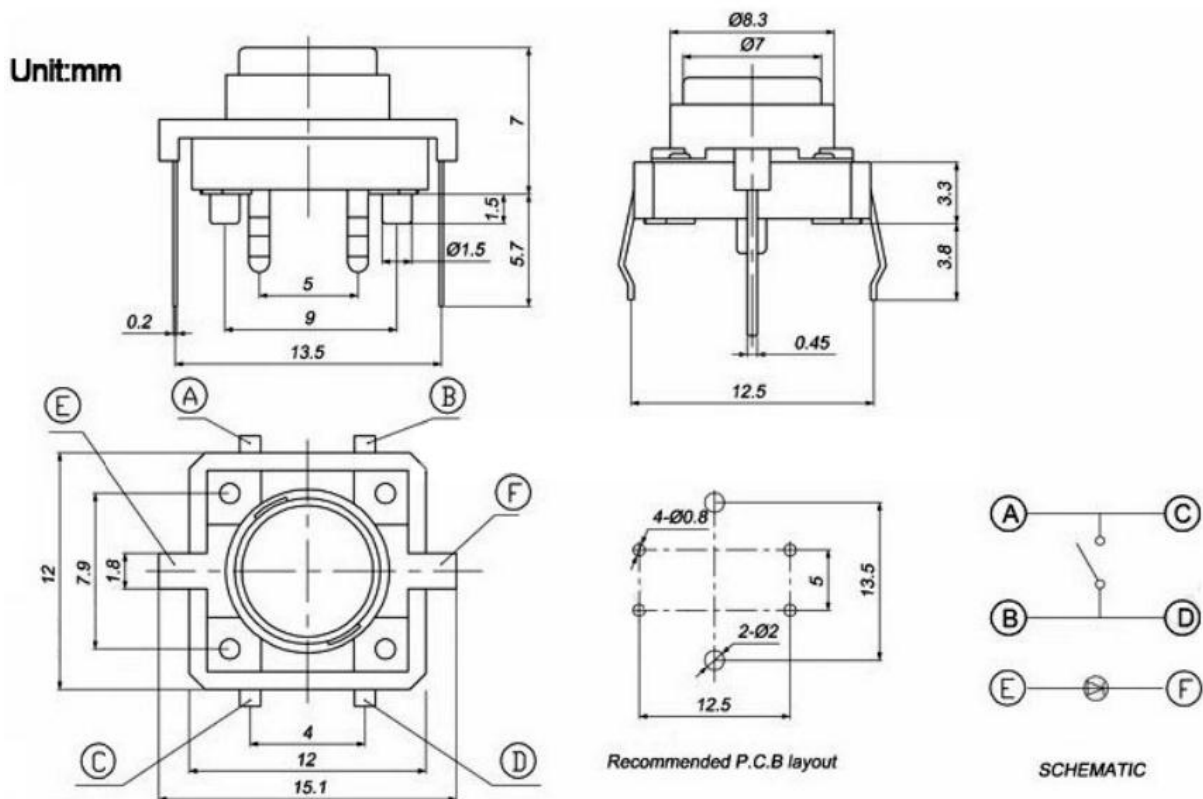


TACTILE SWITCHES WITH LEDS 12X12X7.3MM

High precision mechanism design offers acute operation and long service life. Features momentary contact, 4+2 pins, black square push button with LED, through hole mounting. Large top for comfortable switching. Makes great user interface.

DIMENSIONS



SPECIFICATIONS

Product Name	Tact Switch with LED
Contact Type	Momentary Contact
Current Rating	50mA
Voltage Rating	DC 12V
Contact Resistance	<100m Ohm
Dimension	12 x 12 mm (L*W*H)
Button Diameter	7.1mm
Material	Plastic, Metal, Electric Parts
Main Color	Black, Silver Tone
Net Weight	9g
Travel	0.25mm
Operating Force	160GF

