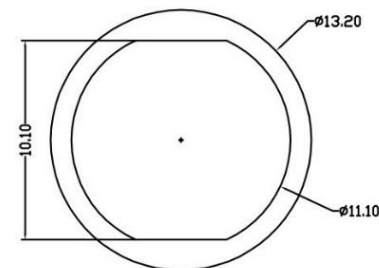
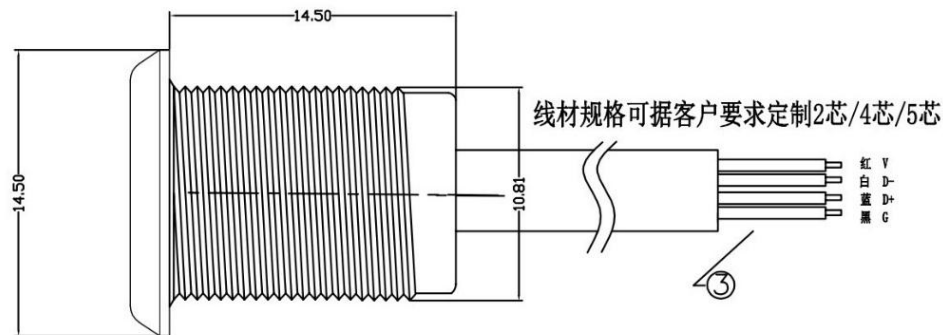
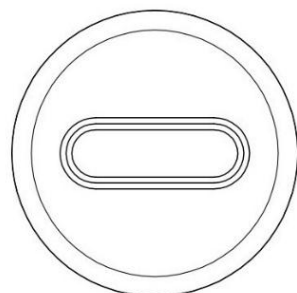
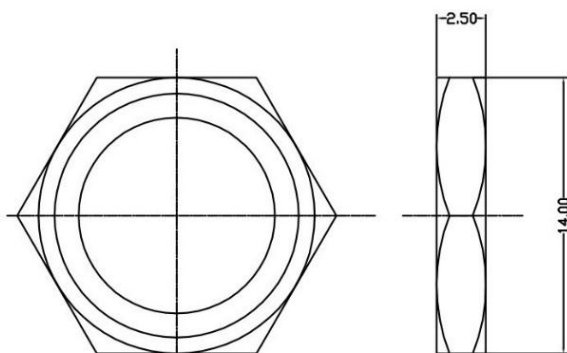


由 Antodesk 教育版产品制作

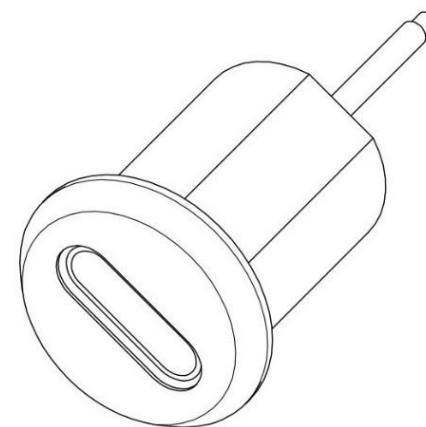
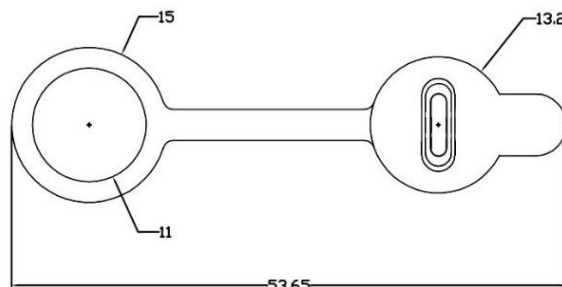
REV.	ECN	DESCRIPTION	MDF'D	DATE
A0		新订图面	Lee	2020.03.18



机板开孔尺寸



螺母标配铁镀白锌，可定制不锈钢/铜。



SPECIFICATION

1. Rating: DC5V/9V 3A:
2. Contact resistance: $\leq 0.03 \Omega$:
3. Insulation resistance: $\geq 100M \Omega$ (DC250V)
4. Withstand voltage: 500VAC:
5. Insertion and extraction force: 5-20N
6. Life test: 10000 cycles:

料号: CHT-TS023X-HXXX-PX



		页码 (SHEET)	1/1	比例 (SCALE) 1:1
		单位 (UNIT):	mm	
		设计 (DESIGN)	LKH	未注公差 TOLERANCE UNSPECIFIED
		审核 (CHECKED)	TYJ	
品名 (ITEM NO)	TYPE C 4P焊线带外螺牙			
图号 (DWG NO)	CHT-TS023R-H200-P4			
		核准 (APPROVED)		

These drawings and specifications are owned by CHUANGYIXUN Electronics (Shenzhen) Co., LTD., and shall not be copied. It may not be reproduced or used in any way without the prior written consent of our company.