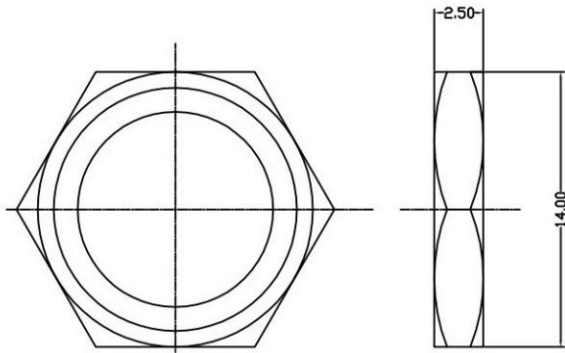
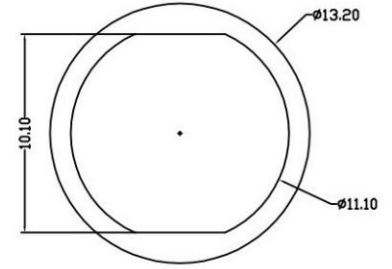
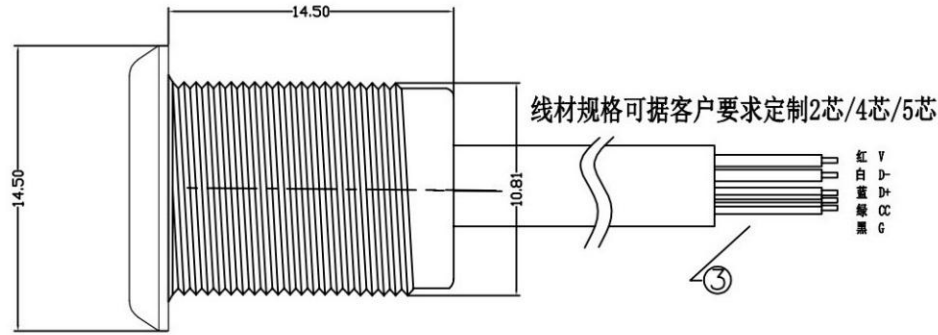
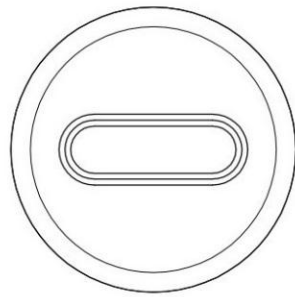
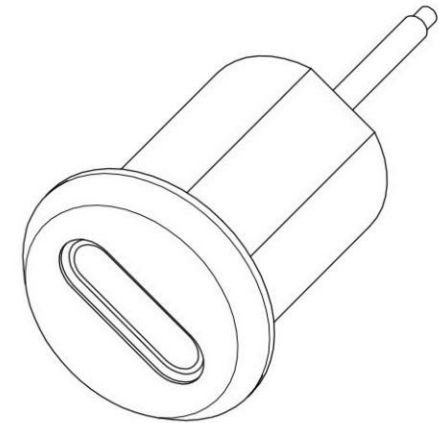
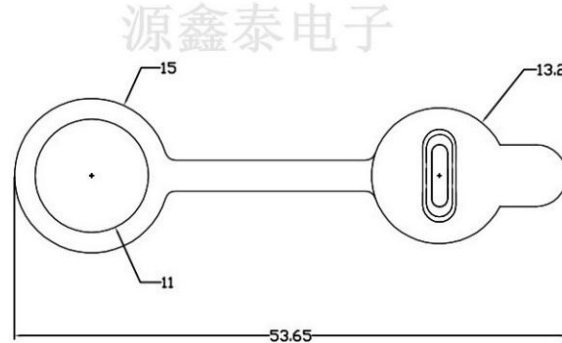


由 Autodesk 教育版产品制作

| REV. | ECN | DESCRIPTION | MDF'D | DATE |
|------|-----|-------------|-------|------------|
| A0 | | 新订图面 | Lee | 2020.03.18 |



螺母标配铁镀白锌，可定制不锈钢/铜。



SPECIFICATION

1. Rating: DC5V/9V 3A:
2. Contact resistance: $\leq 0.03 \Omega$:
3. Insulation resistance: $\geq 100M \Omega$ (DC250V)
4. Withstand voltage: 500VAC:
5. Insertion and extraction force: 5-20N
6. Life test: 10000 cycles:

料号: CHT-TS023X-HXXX-PX



| | | | |
|--------------|---------------|-----|----------------------------|
| | 页码 (SHEET) | 1/1 | 比例 (SCALE) 1:1 |
| | 单位 (UNIT): | mm | 未注公差 TOLERANCE UNSPECIFIED |
| 品名 (ITEM NO) | 设计 (DESIGN) | LKH | |
| 图号 (DWG NO) | 审核 (CHECKED) | TYJ | |
| | 核准 (APPROVED) | | |

These drawings and specifications are owned by CHUANGYIXUN Electronics (Shenzhen) Co., LTD., and shall not be copied. It may not be reproduced or used in any way without the prior written consent of our company.