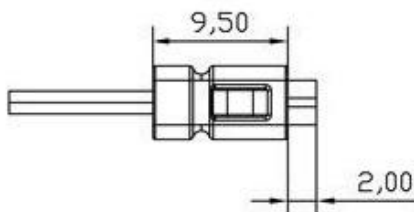
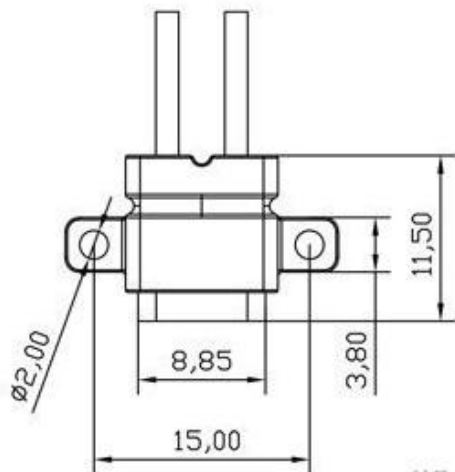
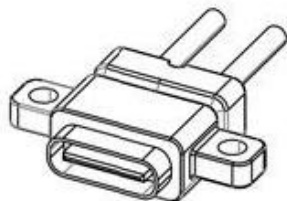
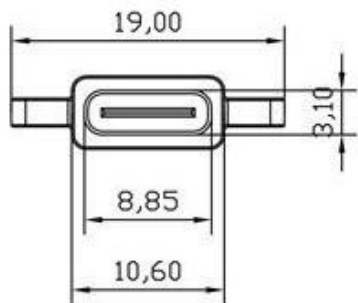


RoHS 客户图

REV.	ECN	DESCRIPTION	MDF'D	DATE
A0		新订图面	Lee	2020.03.18

- NOTES:
- 1.MATERIAL:
MOLDING: LCP UL94 V-0
CONTACT: COPPER ALLOY.
GOLD PLATED Min ON CONTACT AREA, 100u"
Min TIN (LEAD FREE) ON SOLDER AREA,
SHELL: SUS201-H,T=0.25±0.03mm
50u" NICKEL PLATING OVER ALL.
 - 2.MECHANICAL:
INSERTION: 5~20N.
EXTRACTION: 8~20N AFTER TEST.
DURABILITY: 5000 CYCLES
 - 3.ELECTRICAL:
CURRENT: 3A FOR VBUS;
1.25A FOR GND PIN.
0.25A FOR OTHER.
VOLTAGE: 20 V MAX
WITHSTANDING VOLTAGE: 100V AC R.M.S.
CONTACT RESISTANCE: 40mΩ MAX.
INSULATION RESISTANCE: 100MΩ MIN.
 - 4.ENVIRONMENTAL
TEMPERATURE RANGE -25°C ~ +85°C
 5. 尺寸标注事项:
图示有标示⊕者为首样全检, 重点管控尺寸.
 6. 产品符合RoHS标准.



B12	GND
B9	VBUS
A9	VBUS
A12	GND
PIN	SIGNAL NAME

料号: CHT-TS023X-HXXX-PX

- "TS"表示TYPE
- "023"焊线系列
- X (包装)
- "H"表示高度
- 表示尺寸
- 表示PIN数

页码 (SHEET)	1/1	比例 (SCALE) 1:1
单位 (UNIT):	mm	
设计 (DESIGN)	LKH	未注公差 TOLERANCE UNSPECIFIED
品名 (ITEM NO)	TYPE-C2P 防水等级达IP67 180度	
图号 (DRG NO)	CHT-TS023R-H115-P2	
审核 (CHECKED)	TYJ	
核准 (APPROVED)		

These drawings and specifications are owned by CHUANGYIXUN Electronics (Shenzhen) Co., LTD., and shall not be copied. It may not be reproduced or used in any way without the prior written consent of our company.

由 Autodesk 教育版产品制作

由 Autodesk 教育版产品制作