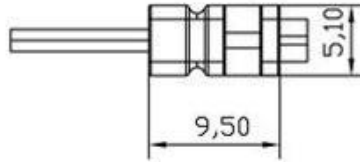
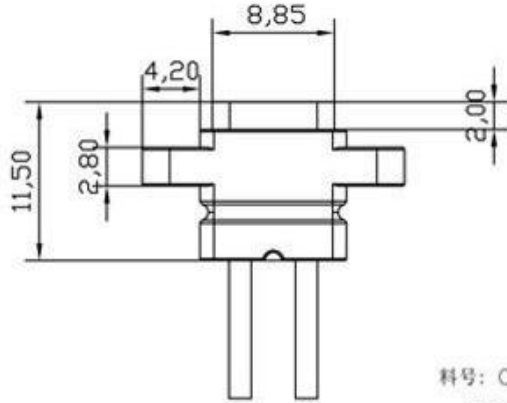
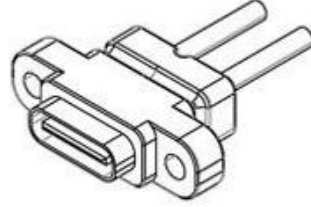
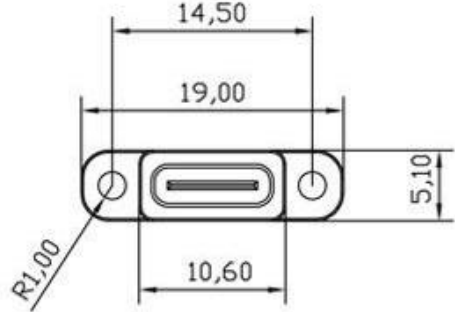


RoHS 客户图

REV.	ECN	DESCRIPTION	MDF'D	DATE
A0	—	新订图面	Lee	2020.03.18

NOTES:

- 1.MATERIAL:  
MOLDING: LCP UL94 V-0  
CONTACT: COPPER ALLOY.  
GOLD PLATED Min ON CONTACT AREA, 100u"  
Min TIN (LEAD FREE) ON SOLDER AREA.  
SHELL: SUS201-H, T=0.25±0.03mm  
50u" NICKEL PLATING OVER ALL.
- 2.MECHANICAL:  
INSERTION: 5~20N.  
EXTRACTION: 8~20N AFTER TEST.  
DURABILITY: 5000 CYCLES
- 3.ELECTRICAL:  
CURRENT: 3A FOR VBUS;  
1.25A FOR GND PIN.  
0.25A FOR OTHER.  
VOLTAGE: 20 V MAX  
WITHSTANDING VOLTAGE: 100V AC R.M.S.  
CONTACT RESISTANCE: 40mΩ MAX.  
INSULATION RESISTANCE: 100MΩ MIN.
- 4.ENVIRONMENTAL  
TEMPERATURE RANGE -25°C ~ +85°C
5. 尺寸标注事项:  
图示有标示⊗者为首样全检, 重点管控尺寸.
6. 产品符合RoHS标准.



PIN	SIGNAL NAME
B12	GND
B9	VBUS
A9	VBUS
A12	GND

料号: CHT-TS023X-HXXX-PX



页码 (SHEET)		1/1	比例 (SCALE) 1:1
单位 (UNIT):		mm	
设计 (DESIGN):		LKH	未注公差 TOLERANCE UNSPECIFIED
品名 (ITEM NO)		TYPE-C2P 防水连接器 90度	
图号 (DWG NO)		CHT-TS023R-H145-P2	
审核 (CHECKED):		TYJ	0: -0.30 0: -10' 00: 0.20 0: -8' 000: 0.10, 00: -5'
核准 (APPROVED):			

These drawings and specifications are owned by CHIANGYIXIN Electronics (Shenzhen) Co., LTD., and shall not be copied, It may not be reproduced or used in any way without the prior written consent of our company .

由 Autodesk 教育版产品制作

由 Autodesk 教育版产品制作