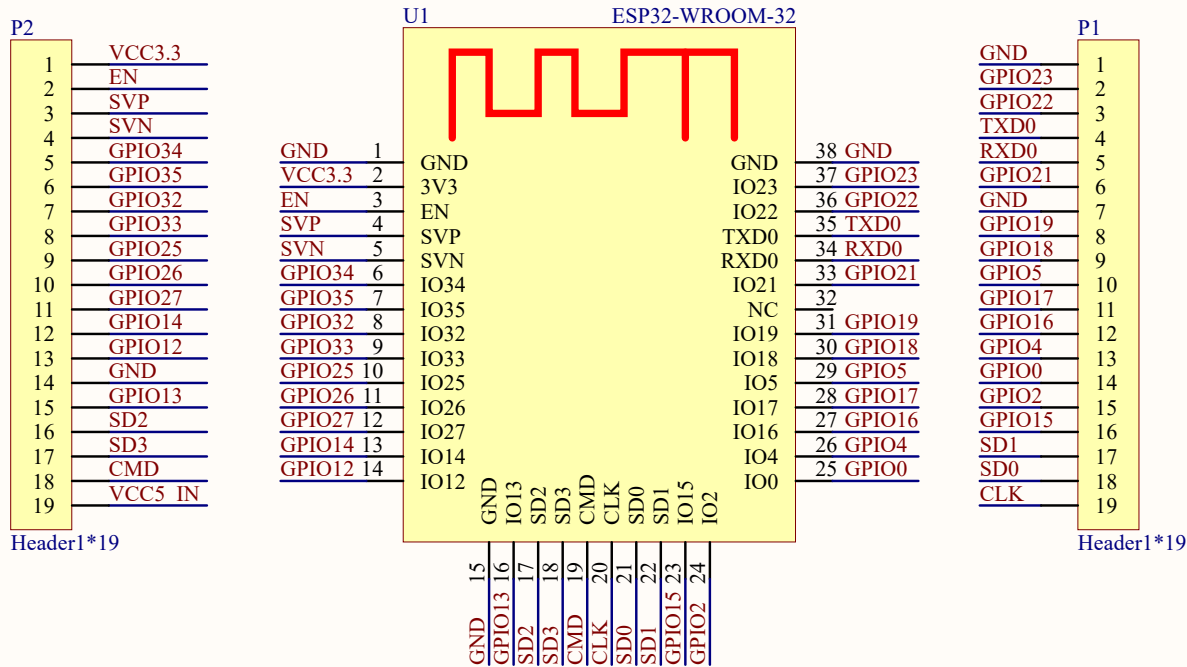
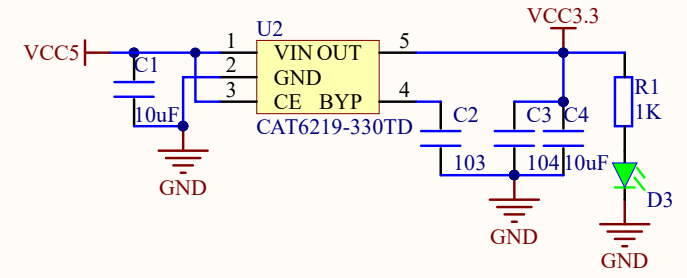


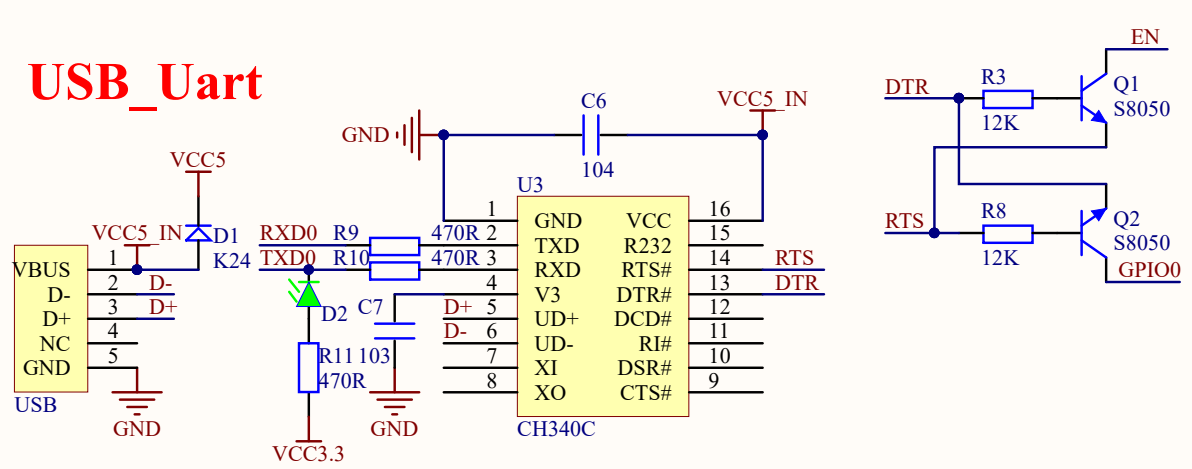
ESP32 Core



DC5V->3.3V



USB_Uart



Title		
Size	Number	Revision
A4		
Date:	2022/7/20	Sheet of
File:	J:\MRYZ\...\ESP32-WROOM-32.SchDoc	Drawn By: